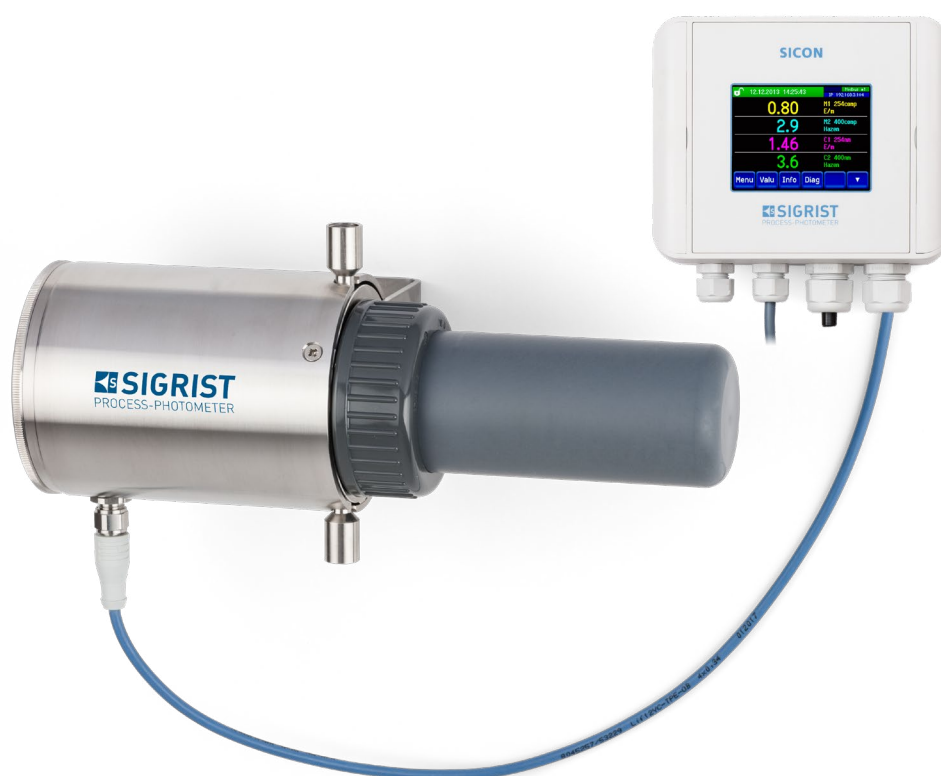


ColorPlus

The PLUS in UV Absorption Measurement with Colour Option



Applications

- DOC (UV absorption) measurement
- Colour (Hazen) measurement

Industries

- Treatment of drinking water
- Treatment of process water in various industries

Properties

- On-line measurement of DOC (UV absorption) with colour (Hazen) option
- Compensation of window fouling
- Flow cell easy to clean without tools
- Elimination of turbidity influence by filters in the sample line
- Automatic instrument verification

Innovations with tangible benefits



Multiple device configurations

The instrument is equipped with different optical filters, depending on the application:

- Filter for DOC (UV absorption) measurement & optional filter for color (Hazen) measurement
- 2 filters for automatic instrument verification
- Filter for turbidity compensation



The measuring cell

- The PVC cover can be opened without any tools.
- Cover removal allows free access for cleaning



Window fouling

The window fouling is determined with the use of two different optical path lengths. The influence is calculated:

- The measured values are automatically corrected.
- The instrument informs the user when the fouling compensation is out of range and the cell needs to be cleaned.



Wall mounting-set

Device to fit all components of the system (Instrument, SICON, filtration unit, measuring cell drainage, flow meter & pressure valve):

- Compact measuring station
- Simple & fast installation and commissioning



Intelligent control system

The SICON control unit with state-of-the-art touch screen technology and colour display:

- Values, graphs, alarm and status messages can be presented.
- An internal data logger allows recalling and displaying measured data of the last 32 days.



photometer.com/cp3b

Applied Process Technology

Galileilaan 33J | 6716 BP Ede
Postbus 234 | 6710 BE Ede
T. +31 88 278 28 28
info@apt.nl | www.appt.nl

Technical Data

Device

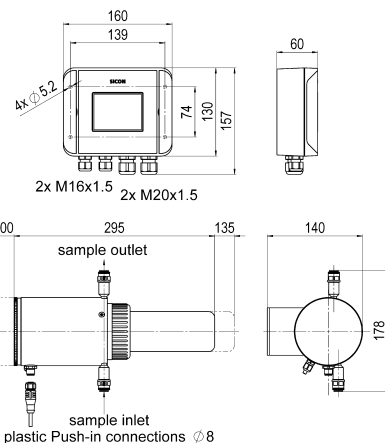
Measuring principle:	Absorption
Wavelengths:	1..3 in the range 200-800 nm
Measuring span:	0 .. 3 E
UV absorption: 100 mm	0 .. 30 E/m
50 mm	0 .. 60 E/m
Hazen: 100 mm	0 .. 150 Hazen @ 390 nm
50 mm	0 .. 300 Hazen @ 390 nm
Resolution:	0.01 mg/l
Measuring ranges:	8, freely configurable
Units:	mg/l
Ambient temperature:	-20 °C .. +50 °C
Enclosure material:	Stainless steel 1.4301
Protection degree:	IP 67
Weight:	3.4 kg

Measuring cell

Material:	PVC
Path lengths UV absorption:	50/10 mm, 100/10 mm
Window material:	Quarz
Seals:	EPDM
Sample temperature:	0 .. 50 °C
Sample pressure:	600 kPa (6 bar)
Sample flow:	0.5 .. 1 l/min
Connections:	Push fit 8 mm / G ¼" thread

Control unit SICON

Power supply:	24 VDC +/- 10%
Power consumption:	8 W, including sensor
Display:	¼ VGA, 3.5"
Operation:	Touchscreen
Ambient temperature:	-20 °C .. +50 °C
Ambient humidity:	0 .. 100% RH
Protection degree:	IP 66
Outputs:	4 x 0/4 .. 20 mA galv. separated 7 x digital, freely configurable
Inputs:	5 x digital, freely configurable
Digital interfaces:	Ethernet, micro-SD card, Modbus TCP
Optional modules (max. 2):	Profibus DP, Modbus RTU, HART, Profinet IO, 4 x 0/4 .. 20mA outputs, galv. separated 4 x 0/4 .. 20 mA inputs



SIGRIST
PROCESS-PHOTOMETER
SIGRIST-PHOTOMETER AG
Hofurlistrasse 1 · CH-6373 Ennetbürgen
Tel. +41 41 624 54 54 · Fax +41 41 624 54 55
www.photometer.com · info@photometer.com