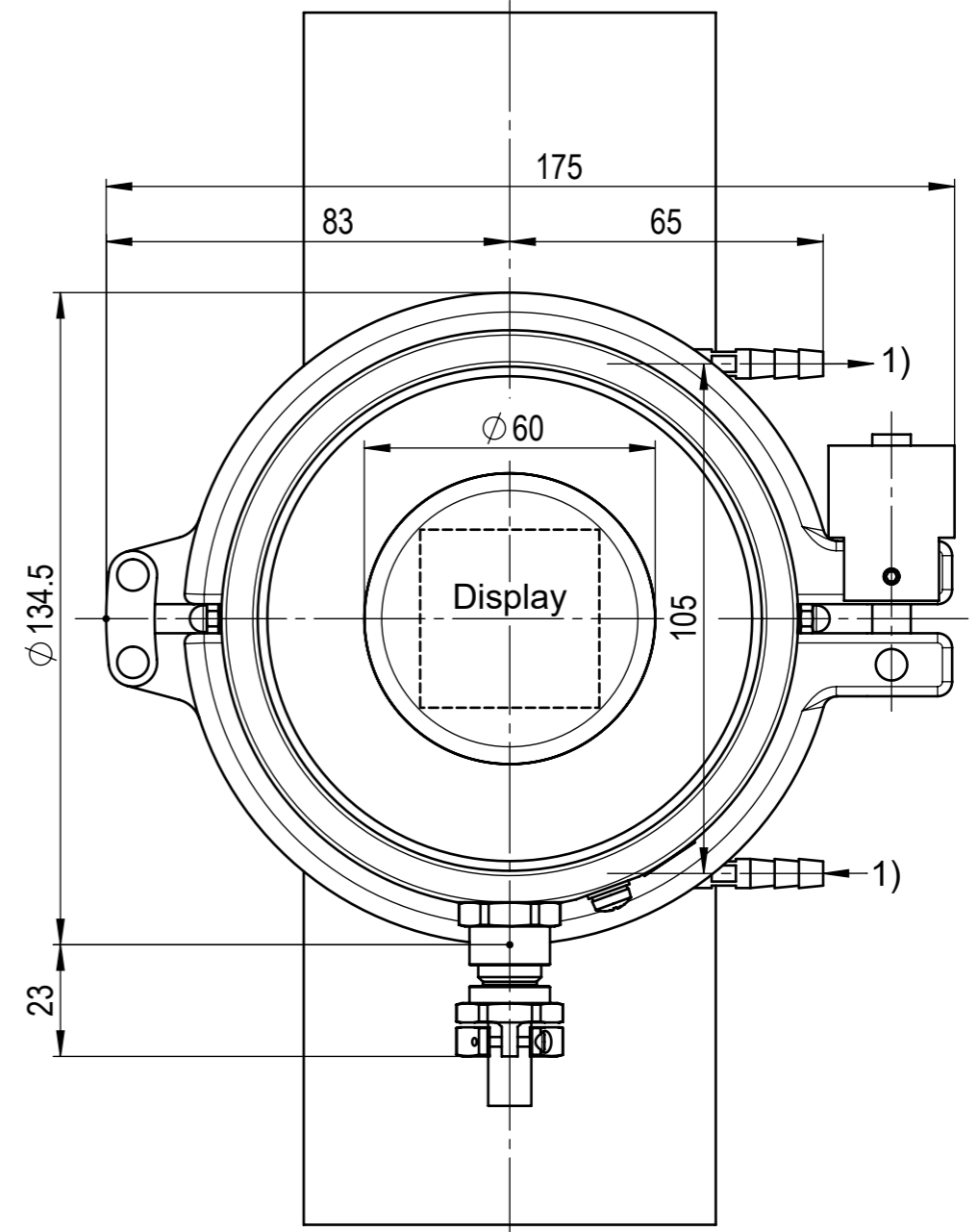


Nennweite Nominal Size	Ø A	B	C	D
DN40	38	180	30	36
DN50	50	180	36	42
DN65	66	250	44	50
DN80	81	250	51.5	57.5
DN100	100	250	61	67
DN125	125	250	73.5	79.5
DN150	150	300	86	92
1 1/2" OD	34.9	180	28.5	34.5
2" OD	47.6	180	34.75	40.75
2 1/2" OD	60.3	250	41	47
3" OD	73	250	47.5	53.5
4" OD	97.4	250	59.75	65.75
2" IPS	56.3	228.6	39.5	45.5
3" IPS	84.3	304.8	53.5	59.5
4" IPS	109.7	304.8	66	72
6" IPS	162.7	304.8	92	98

VARINLINE®-Gehäuse (optional)  
VARINLINE®-housing (optional)



1) Kühlwasseranschluss Ø 6 (optional)  
Cooling water connection Ø 6 (optional)

Massblatt / dimension sheet  
TurBiScat 2 Ex VARINLINE®-Anschluss / connection  
Ex db IIC T3/T4/T5/T6 Ga/Gb

Massstab <b>1:1.5</b>	Datum	22.07.2021
	Geprüft	Phs
	Verteiler	
	Gezeichnet	Phs

**SIGRIST** © SIGRIST-PHOTOMETER AG  
PROCESS-PHOTOMETER CH-6373 Ennetbürgen  
www.photometer.com

**Zeichnungs-Nr.**  
TurBiScat2Ex\_V-MB  
**Index**  
1

Technische Änderungen vorbehalten. Subject to change without notice.