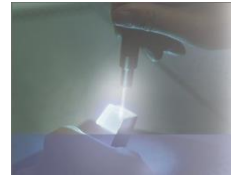


AquaScat S

USP & Features » Customer Benefits



AquaScat S

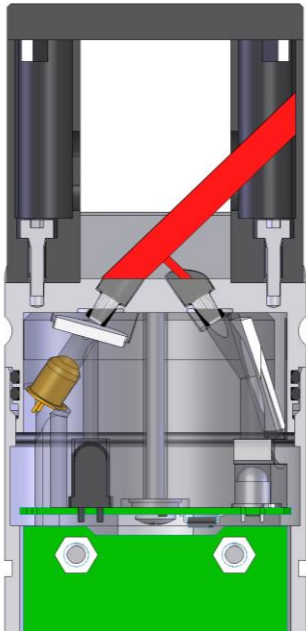
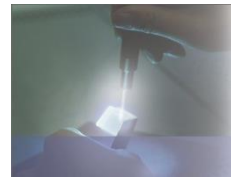


Measurement directly in the water

Sensorhead is sloped:

- » Water flow creates selfcleaning effect of the sensorhead surface
- » Zero drift at turbidities of max. 1 FNU is less than 2% per six months of operation

AquaScat S



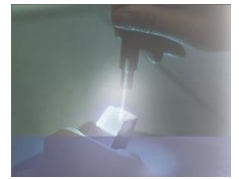
The absorber

The absorber allows the application of the sensor in all possible process installation :

- » Eliminates stray light from the environment
- » Avoids unwanted influences of the measured values by light reflexions
- » Turbidity values of a few mFNU can be measured precisely
- » The hollow parts are flushed to avoid sediments inside



AquaScat S

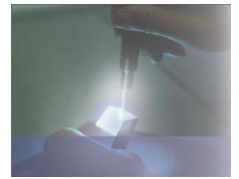


Re-calibration with secondary standard (Solid glass body)

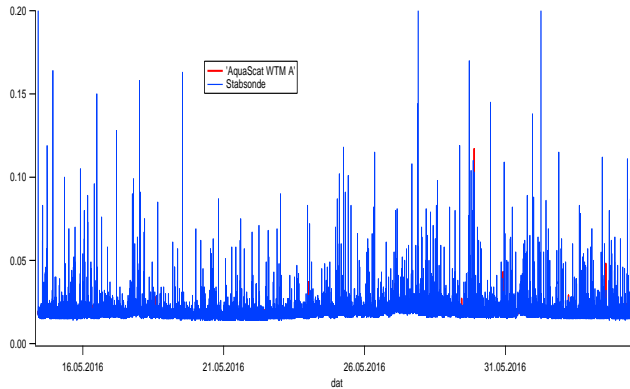
- » Precise re-calibration is possible without the use of Formazine
- » Purchase and storage of Formazine is not needed
- » Allows a stable measurement over a long time period



AquaScat S



Measurement without filter

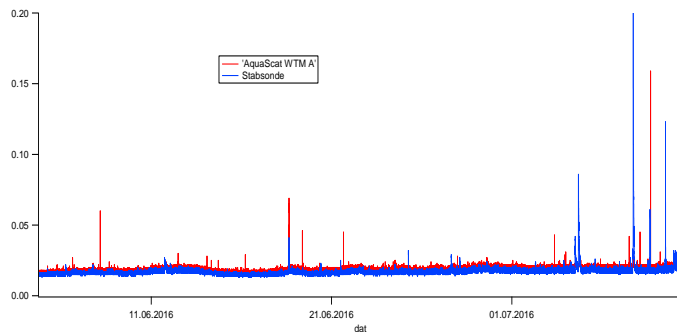


Influence of air bubbles

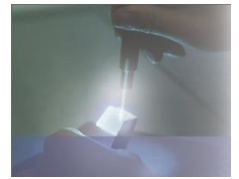
The sensor is equipped with an electronic air bubble filter:

- » Upon request, the influence of air bubbles is successfully suppressed
- » Correct measurement of the turbidity is granted

Measurement with filter



AquaScat S



Connection box Conn-R



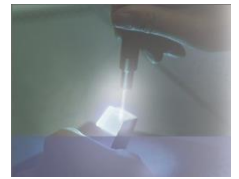
System integration

1. 8- wire cable without any extras:
 - » Basic sensor with 1 analogue and 2 digital outputs
2. Connection to Conn-R:
 - » 1 analogue and 2 digital outputs
 - » Push-button and LED info to perform re-calibration
 - » Possibility to connect SICON-C
3. Connection to SICON / SICON-M:
 - » All functions of the two control units including their options
4. WLAN module:
 - » Communication via web-interface

Housing for WLAN option



AquaScat S



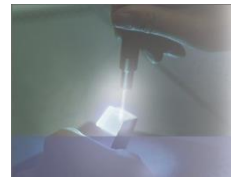
Life cycle cost

Next to technical features, the product design was focused on long live time of the instrument and low maintenance needs :

- » The light source being an LED typically offers operation without failure for more than 10 years
- » The cost for consumables during 10 years of operation is CHF 92.00 (desiccant & battery for SICON)
- » The maintenance work is very low
- » The cost for spare parts are very low



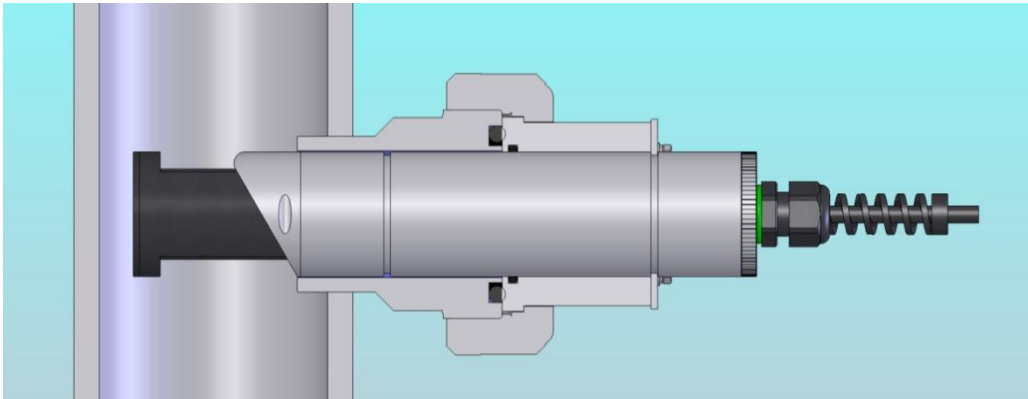
AquaScat S



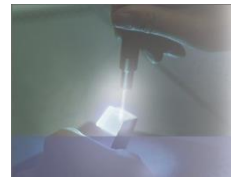
Installation in PE or PVC tubes

Kit to fit the sensor directly into PE or PVC tubes with a minimum inner diameter of 60mm:

- » Standard tubing at customers
- » Flexible diameter of tubes



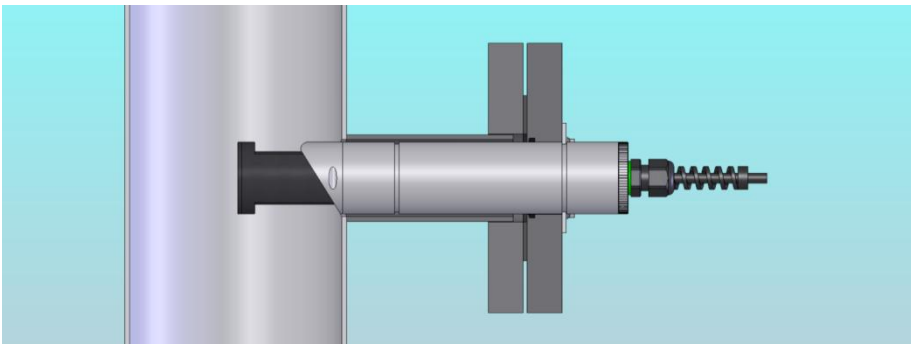
AquaScat S



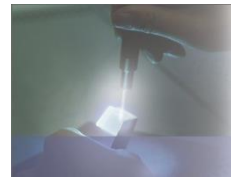
Installation in stainless steel tubes

Kit to fit the sensor directly into stainless steel tubes with a minimum inner diameter of 60mm:

- » Standard tubing at customers
- » Flexible diameter of tubes

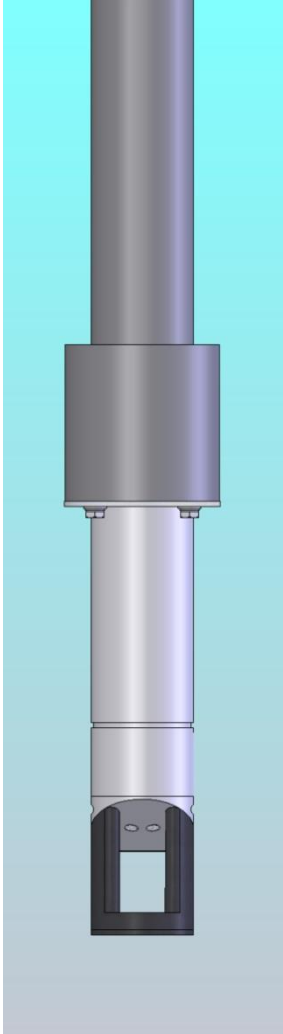


AquaScat S

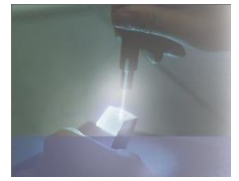


Kit to install directly in basins:

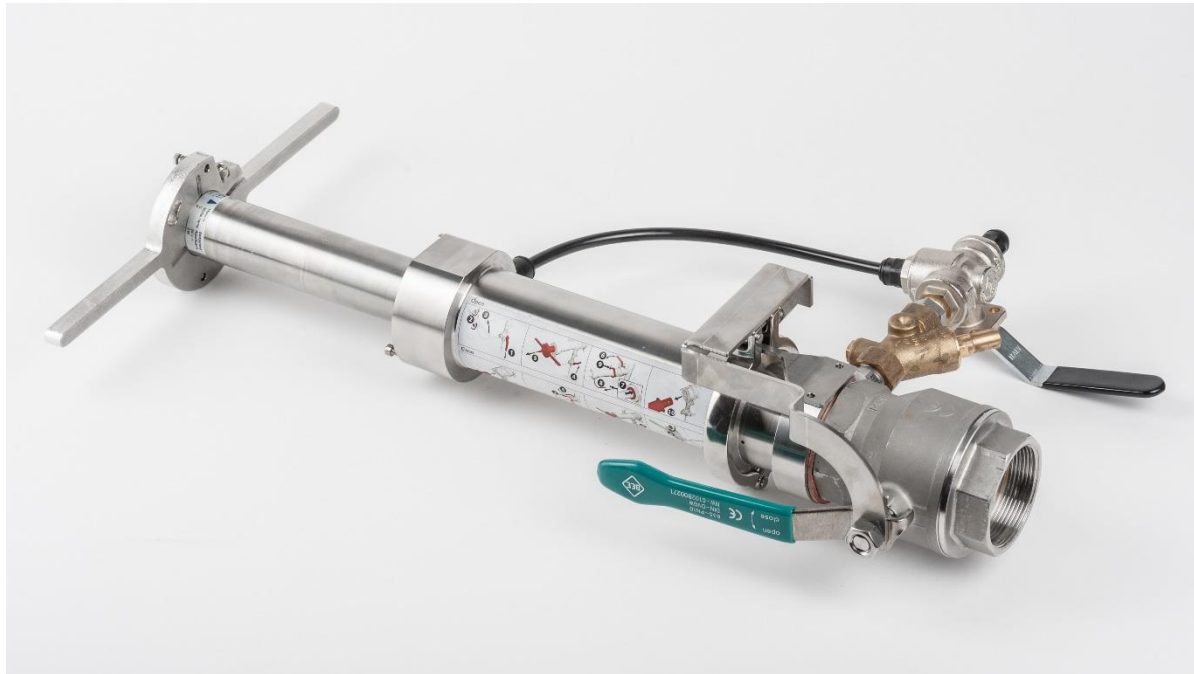
- » Various means to mount the sensor
- » Defined position of the sensor relating to the water flow
- » Depth and distance to the side walls can be chosen freely



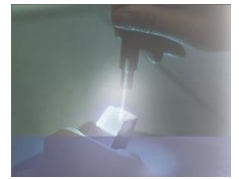
AquaScat S



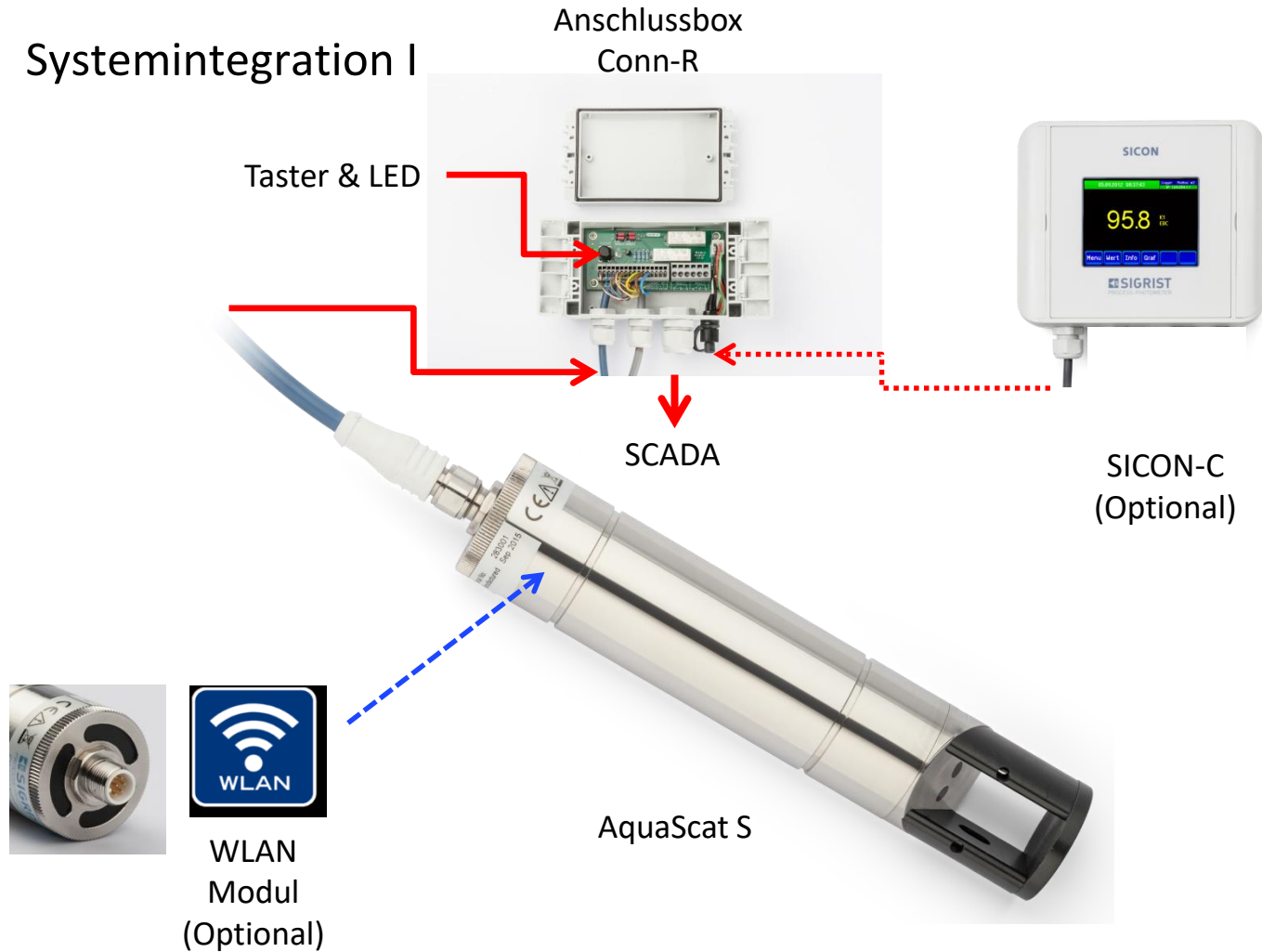
Online retractable unit



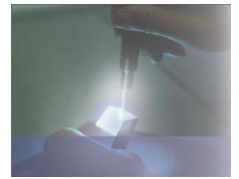
AquaScat S



» Systemintegration I



AquaScat S



» Systemintegration II

